



30V P-Channel Enhancement Mode MOSFET

$V_{DS} = -30V$

$R_{DS(ON)}, V_{GS}@-10V, I_{DS}@ -4.1A < 64.5m\Omega$

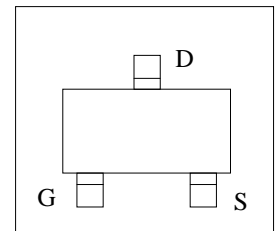
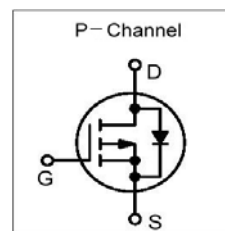
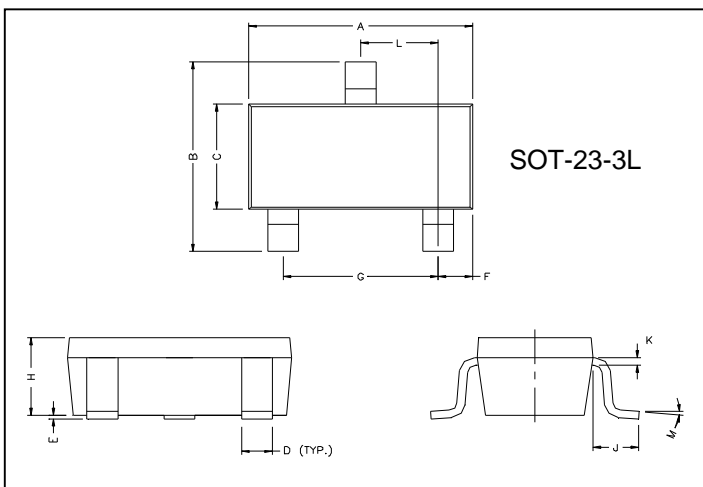
$R_{DS(ON)}, V_{GS}@-4.5V, I_{DS}@-3.0A < 87m\Omega$

Features

Advanced trench process technology

High Density Cell Design For Ultra Low On-Resistance

Package Dimensions



REF.	Millimeter		REF.	Millimeter	
	Min.	Max.		Min.	Max.
A	2.70	3.10	G	1.90	REF.
B	2.65	2.95	H	1.00	1.30
C	1.50	1.70	K	0.10	0.20
D	0.35	0.50	J	0.40	-
E	0	0.10	L	0.85	1.15
F	0.45	0.55	M	0°	10°

Maximum Ratings and Thermal Characteristics (TA = 25°C unless otherwise noted)

Parameter	Symbol	Limit	Unit	
Drain-Source Voltage	V_{DS}	-30	V	
Gate-Source Voltage	V_{GS}	± 20		
Continuous Drain Current	I_D	-5.3	A	
Pulsed Drain Current	I_{DM}	-20		
Maximum Power Dissipation	P_D	TA = 25°C	1.4	W
		TA = 75°C	1	
Operating Junction and Storage Temperature Range	T_J, T_{stg}	-55 to 150	°C	
Junction-to-Ambient Thermal Resistance (PCB mounted)	$R_{\theta JA}$	125	°C/W	

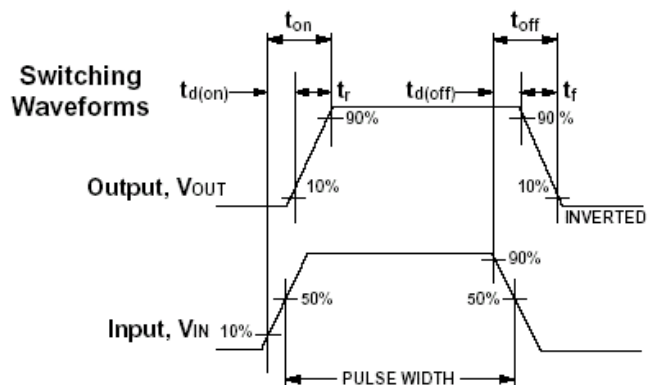
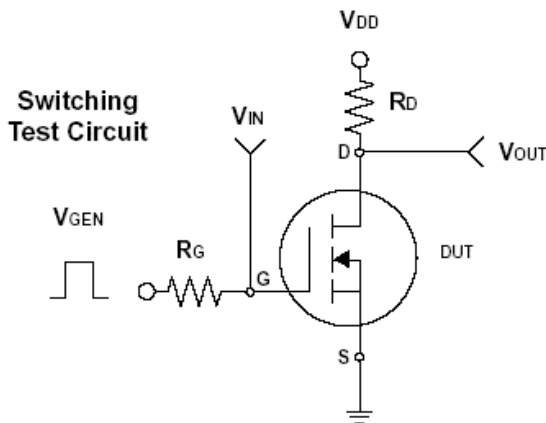


30V P-Channel Enhancement Mode MOSFET

ELECTRICAL CHARACTERISTICS (TA = 25oC unless otherwise noted)

Parameter	Symbol	Test Condition	Min.	Typ.	Max.	Unit
Static						
Drain-Source Breakdown Voltage	BV_{DSS}	$V_{GS} = 0V, I_D = -250\mu A$	-30			V
Drain-Source On-State Resistance	$R_{DS(on)}$	$V_{GS} = -10V, I_D = -4.1A$		48.0	64.5	mΩ
Drain-Source On-State Resistance	$R_{DS(on)}$	$V_{GS} = -4.5V, I_D = -3A$		64.0	87.0	
Drain-Source On-State Resistance						
Gate Threshold Voltage	$V_{GS(th)}$	$V_{DS} = V_{GS}, I_D = -250\mu A$	-1.0	-1	-3.0	V
Zero Gate Voltage Drain Current	I_{DSS}	$V_{DS} = -24V, V_{GS} = 0V$			-1	uA
Gate Body Leakage	I_{GSS}	$V_{GS} = \pm 20V, V_{DS} = 0V$			± 100	nA
Forward Transconductance	g_{fs}	$V_{DS} = -5V, I_D = -4A$	5.5		—	S
Dynamic						
Total Gate Charge	Q_g	$V_{DS} = -15V, I_D = -5.3A$ $V_{GS} = -10V$		9.35		nC
Gate-Source Charge	Q_{gs}			3.43		
Gate-Drain Charge	Q_{gd}			1.7		
Turn-On Delay Time	$t_{d(on)}$	$V_{DD} = -15V, R_L = 15\Omega$ $I_D = -1A, V_{GEN} = -10V$ $R_G = 6\Omega$		10.8		ns
Turn-On Rise Time	t_r			2.33		
Turn-Off Delay Time	$t_{d(off)}$			22.53		
Turn-Off Fall Time	t_f			3.87		
Input Capacitance	C_{iss}	$V_{DS} = -15V, V_{GS} = 0V$ $f = 1.0\text{ MHz}$		551.57		pF
Output Capacitance	C_{oss}			90.96		
Reverse Transfer Capacitance	C_{rss}			60.79		
Source-Drain Diode						
Max. Diode Forward Current	I_S				-2.6	A
Diode Forward Voltage	V_{SD}	$I_S = 2.6A, V_{GS} = 0V$			-1.3	V

Note: Pulse test: pulse width $\leq 300\mu s$, duty cycle $\leq 2\%$





30V P-Channel Enhancement Mode MOSFET

Typical Characteristics (T_J = 25°C Noted)

